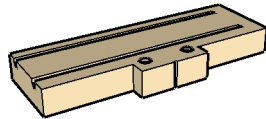


Assembly Instructions "BAR" 2 wall studs Plaster.

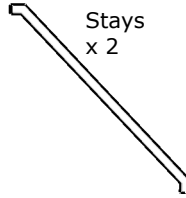
Kit components:



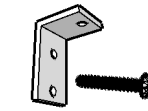
Glass Holders
9 sets



Glass Holder Inserter.

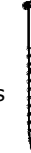


Stays
x 2



2 Brackets
6 screws

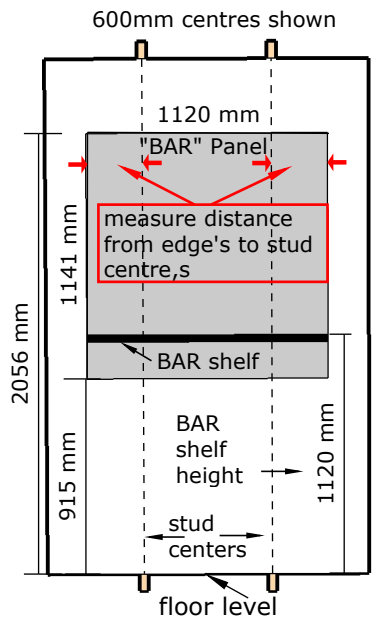
4 x
fixing
screws



- . 1x BAR Panel 1120mmW x 1141mmH x 16mm
- . 2 x shelves 320mmL x 190mmD x 16mm
- . 1 x Shelf 380mmL x 190mmD x 16mm

Shelves Weight load: 3 x 750mL bottles 32cm shelves, 4 x 750mm bottles 38cm shelf, (or similar weighted items) spread evenly over the shelf width. Mount to any stable flat dry wall.

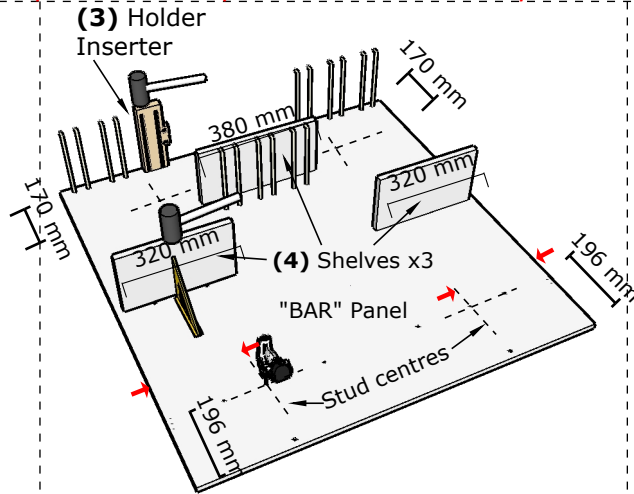
N/B When the BAR panel is in your selected position the Studs may be offset to the panel centre.



1. Establish & mark wall **studs centres**.

Confirm the Bar panel height, **position/level & mark** the Bar panel **outline** on the wall. Measure/record the **distance in** from panel **edges** to the wall **studs centres**.

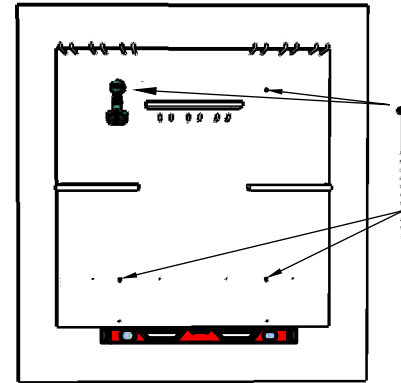
*N/B If you want to **change** Bar **shelf height** raise/lower the panel height from the shown 915mm accordingly.*



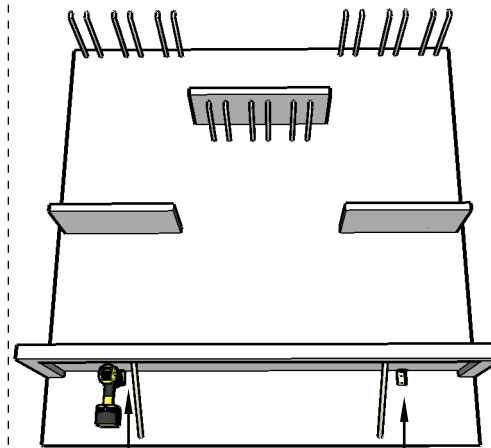
2. Place BAR panel on a firm base. Mark the Stud **centres** on the "BAR" panel & at **196mm** up from the **bottom** edge & **170mm** down from the **top** edge, with a **3mm Bit** drill 4 holes *as shown*.

3. Using the **Holder Inserter**, Insert the **Glass Holders** into the **Inserter** & **Tap** in. (Holders pointing upwards).

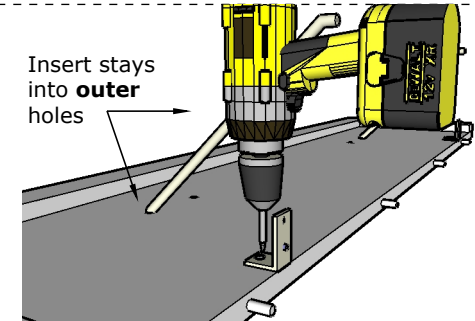
4. Using a **Right Angle** align each shelf at **90Degree's** over existing holes & **Tap** in **evenly** until the shelf edge is **flush** to panel face.



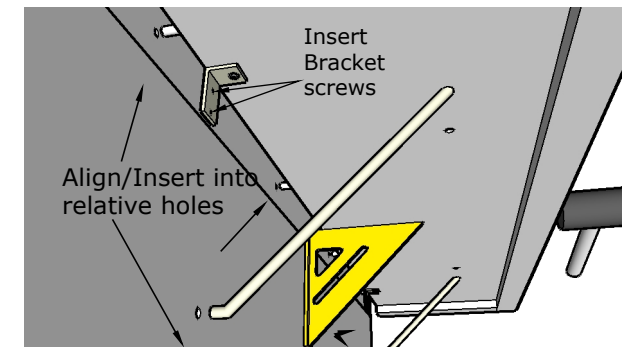
5. **Align & Level** the BAR panel to the **marked wall** position, drill a top Stud hole & insert a fixing **screw** (*flush*) check **level** & repeat with next **top** hole & then the **bottom** holes.



8. Fix the 2 brackets into the existing holes in the BAR panel

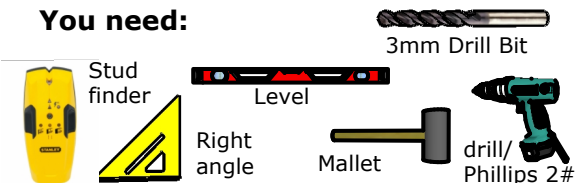


6. On the **underside** of the **shelf** fix the 2 brackets into the existing hole/s @ insert the **2 stays** **all the way** into the **outer** holes.



7. **Align** the **shelf** & the **stays** to their relative **holes** & **evenly insert** at **90Degee's** using a mallet. Insert Bracket screws into existing panel holes **A second person is handy here.**

You need:



©DISYNER SYSTEMS. All rights reserved.

Liability notice: Disyner Systems is unable to accept any liability for faulty wall conditions or damage to any internal wall components onto which the system is installed. We are unable to accept any liability if the the assembly instructions are not followed exactly as stipulated.