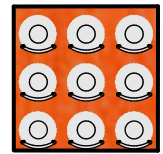


Square "SQ9" 9 bottles

Assembly instructions "Square 9" mounting option C. Backing plate, wall Stud mounted.

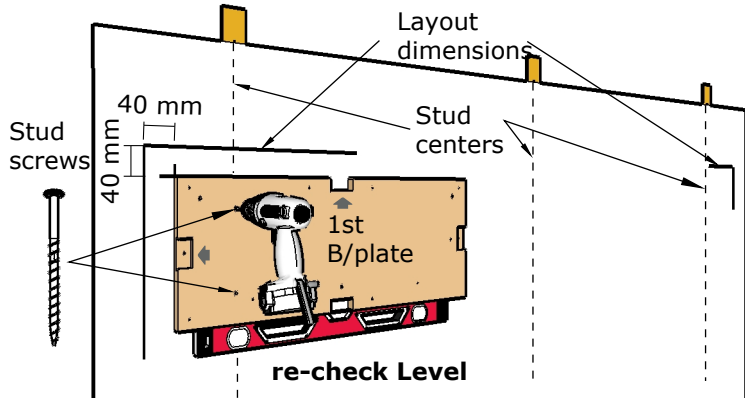
2 or 3 panel Backing plates.
N/B. All appropriate fittings will be supplied.

"Square 9" Panel 9 bottles

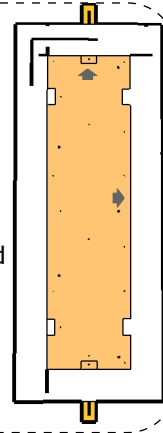


1. Confirm & mark the **Layout** on the wall. Locate Wall **Studs center** & **Mark**. Measure & mark **40mm in** from a layout corner.
2. Position & level the **1st Backing Plate** to this point, **align & drill** a **3mm Hole** through the B/Plate into the marked wall **stud center** & insert stud screw, re-check level & repeat with a 2nd lower hole in the B/Plate or 2nd stud if applicable (requires min. of 2 screws in each stud)

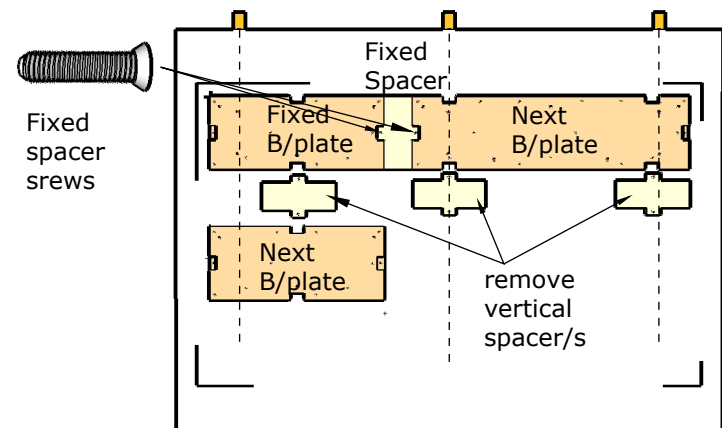
Allow 20mm from the highest Layout position to any obstruction above.



If aligned to a Stud center B/plates/panels can be mounted vertically.

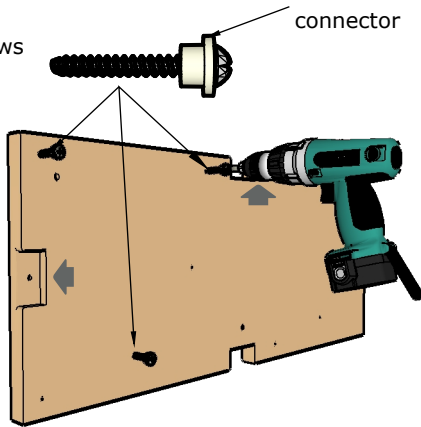


3. Select the **Next** face & insert a **Spacer** into fixed **B/Plate** & Next **B/plate** into the **Spacer**, confirm **alignment** & **drill/insert** stud screws as per **items 1&2**.
4. Insert **spacer screws** into spacer. N/B Remove **Vertical spacers** after the next B/plate is fixed. Repeat the process until the layout is complete.

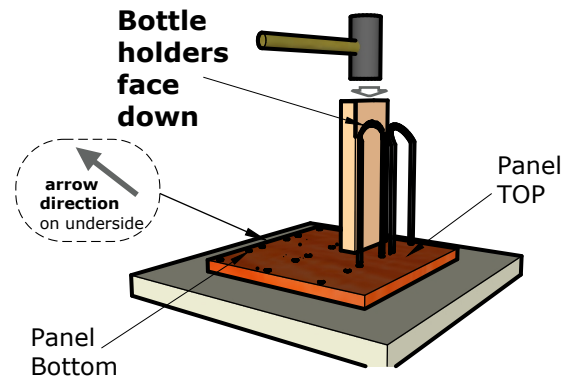


4. Screw **Panel connector assembly** into the **Backing Panel** until firm.

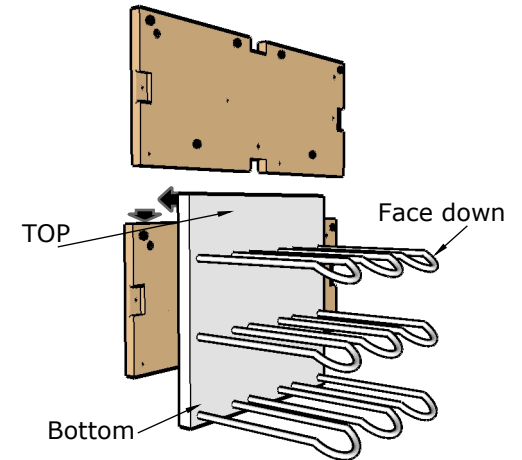
3x8gx16mm connector screws per panel.



6. Place the panel on a **solid flat surface**, **face up**. Insert the **Bottle holder brackets** using the **insertion block**, drive in until the **block is Firm & Flat** with the panel **surface**.

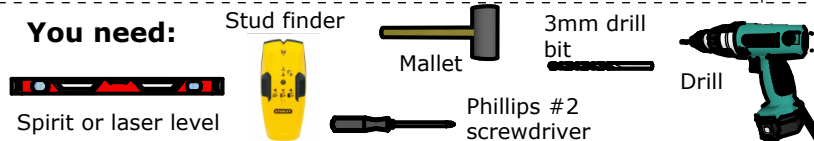


7. Commencing with the **lowest** panel position, **align** the panel with the **panel connectors**, **push in & pull down**.

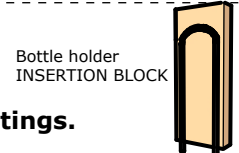


©DISYNER SYSTEMS. All rights reserved.
Liability notice: Disyner Systems is unable to accept any liability for faulty wall conditions or damage to any internal wall components onto which the system is installed. We are unable to accept any liability if the the assembly instructions are not followed exactly as stipulated.

You need:



Items supplied:



ALL fixing Fittings.