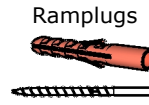


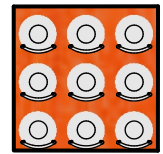
**Square
"SQ9"
9 bottles**

Assembly instructions "Square 9" mounting option B. Backing plate, wall anchor mounted.

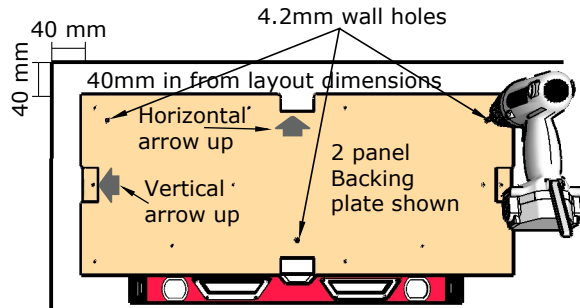
2 or 3 panel Backing plates.
N/B Plaster wall installation shown for Concrete/Brick & Masonry walls replace plaster wall anchor images with Ramplugs. All appropriate fittings will be supplied.



"Square 9"
Panel
9 bottles



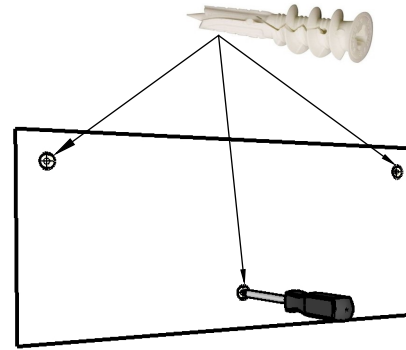
1. Mark the **layout** dimensions on the **wall**, select a **corner** starting point, **Position & level** the 1st Backing Plate **40mm** in from the layout lines. Drill the **4.2mm** wall holes.
N/B 3 holes for 2 panel, 5 for 3 panel B/plates..
Ensure the B/plate does not move thru the process.
Allow 20mm from the Layout line to any obstruction above.



Backing plates can be positioned Horizontally or Vertically.

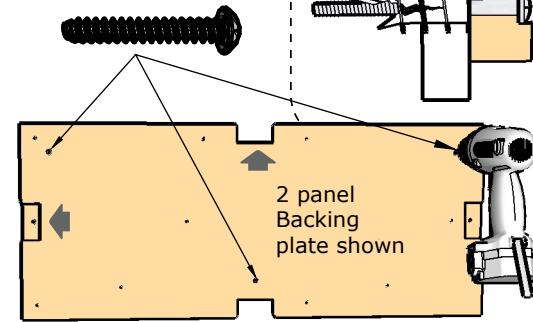
2. Screw in **wall anchors** until **flush**. *Do not overtighten.*

Plaster wall anchors...
3 per 2 panels B/plate.
5 per 3 panels B/plate.



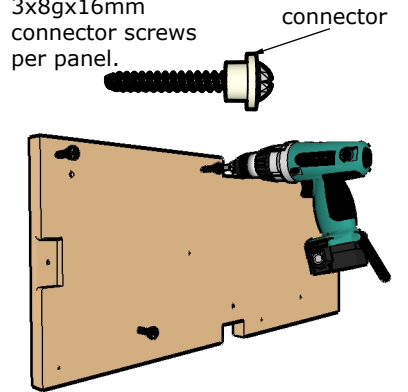
3. **Reposition Backing plate.** & insert screws into wall anchors until firm.

Wall anchors screws ...
3 per 2 panels B/plate.
5 per 3 panels B/plate.

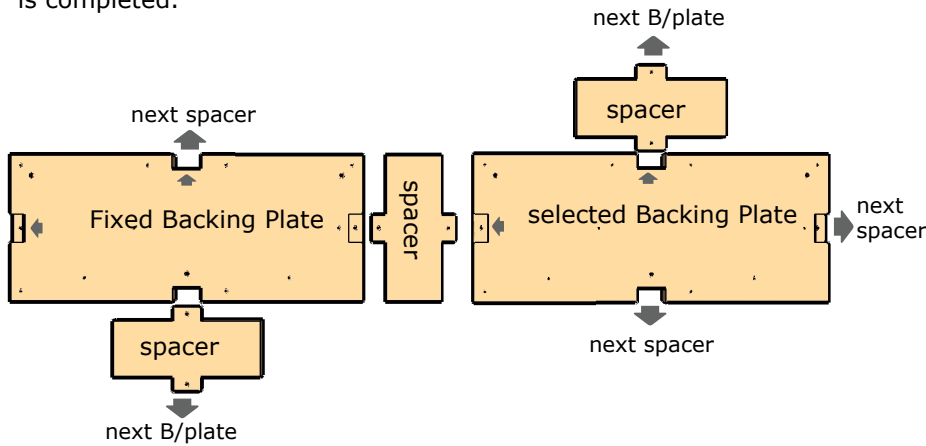


4. Screw **Panel connector assembly** into the **Backing Panel** until firm.

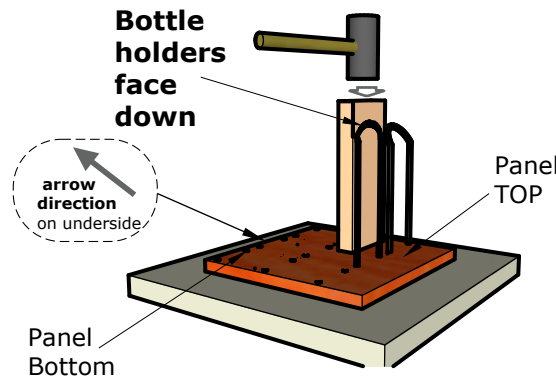
3x8gx16mm connector screws per panel.



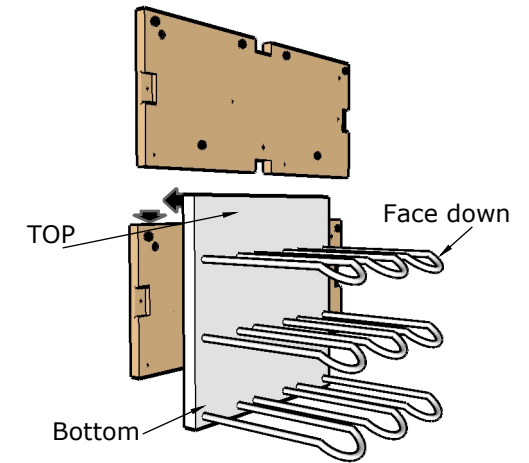
5. For **additional** Panels/Backing Plates select the **next face**, insert a **spacer** & then insert selected **Back Panel** into the spacer, repeat items 1 - 4. Remove the spacer. Continue the process until the layout is completed.



6. Place the panel on a **solid flat surface**, **face up**. Insert the **Bottle holder brackets** using the **insertion block**, drive in until the **block is Firm & Flat** with the panel **surface**.

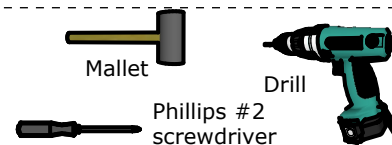
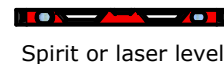


7. Commencing with the **lowest** panel position, **align** the panel with the **panel connectors**, **push in & pull down**.



©DISYNER SYSTEMS. All rights reserved.
Liability notice: Disyner Systems is unable to accept any liability for faulty wall conditions or damage to any internal wall components onto which the system is installed. We are unable to accept any liability if the the assembly instructions are not followed exactly as stipulated.

You need:



Items supplied:
ALL fixing Fittings.

