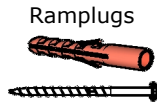


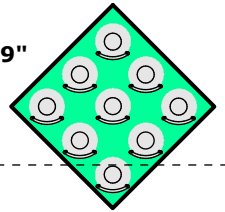
Assembly instructions "Diamond 9" mounting option B. Backing Plate, anchor mounted

Diamond "D9" 9 bottles

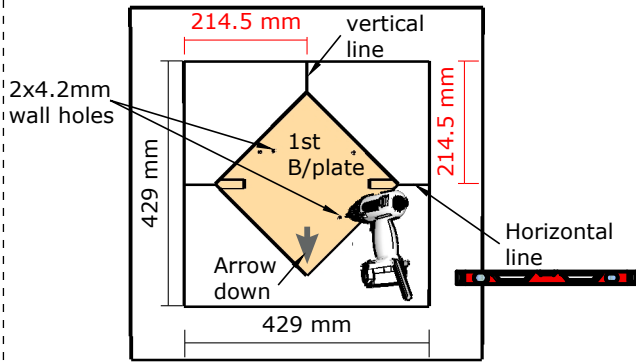
N/B Plaster wall installation shown for Concrete/Brick & Masonry walls replace plaster wall anchor images with Ramplugs. All appropriate fittings will be supplied.



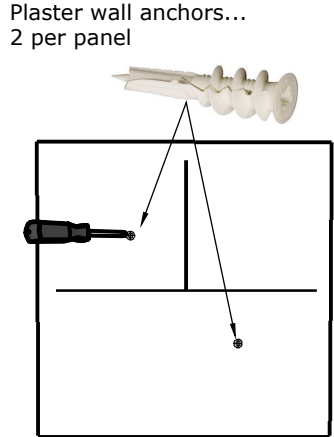
"Diamond 9" Panel 9 bottles



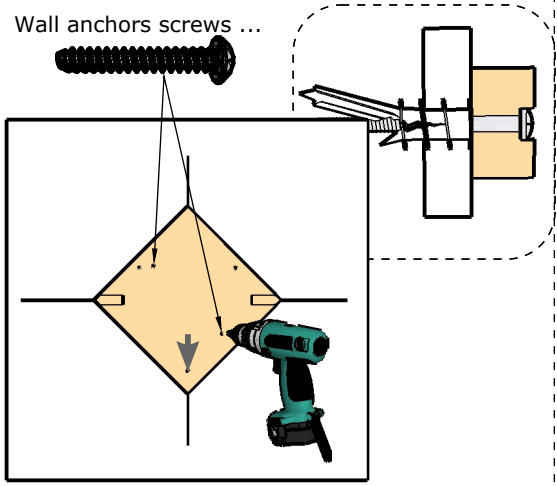
1. Establish the **layout** positioning on the wall by marking **429mm x 429mm** squares for **each** "Diamond9" panel required, mark a **Horizontal & Vertical** line through the **centre** point.
2. **Align** the Backing Plate to the **lines, hold firm** & drill the **2x 4.2mm** wall holes, remove B/Plate. Allow **20mm** clearance above the 429mm to any obstruction.



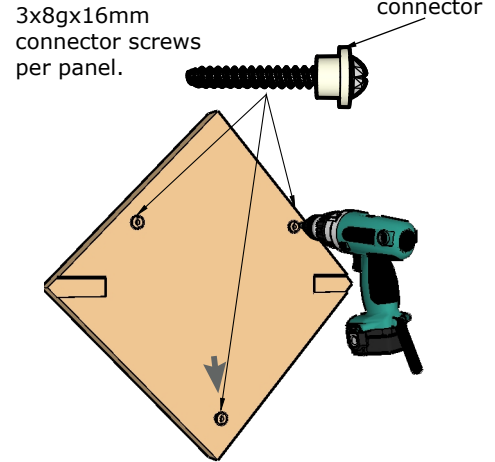
3. Screw in **wall anchors** until **flush**. *Do not overtighten.*



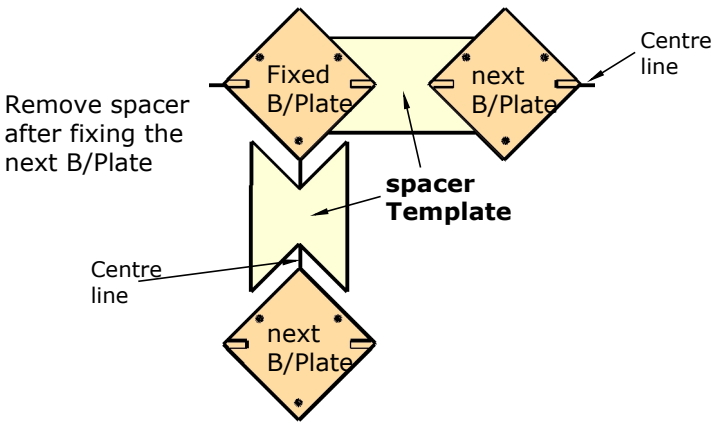
4. **Reposition Backing plate.** & insert screws into wall anchors until firm.



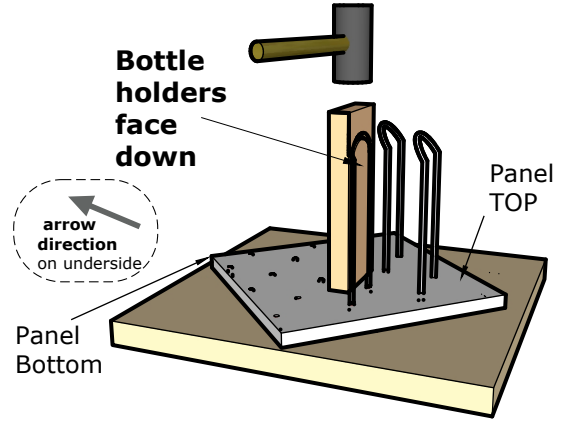
5. Screw **Panel connector assembly** into the **Backing Panel** until firm.



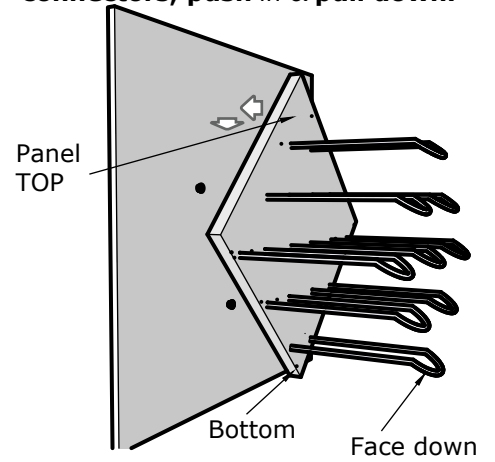
6. To **add** additional "Diamond9" panels select the face & extend the centre line, align the **spacer template** & next **Backing Plate** along the extended centre line. Repeat **items 2-5**. Repeat the process until the layout is complete.



7. Place the panel on a **solid flat surface, face up**. Insert the **Bottle holder brackets** using the **insertion block**, drive in until the **block is Firm & Flat** with the panel **surface**.



8. Commencing with the **lowest** panel position, **align** the panel with the **panel connectors, push in & pull down**.



©DISYNER SYSTEMS. All rights reserved.
 Liability notice: Disyner Systems is unable to accept any liability for faulty wall conditions or damage to any internal wall components onto which the system is installed. We are unable to accept any liability if the the assembly instructions are not followed exactly as stipulated.

- You need:**
- Spirit or laser level
 - Mallet
 - Phillips #2 screwdriver
 - Drill

- Items supplied:**
- Bottle holder INSERTION BLOCK
 - 4.2mm Drill bit
- ALL fixing Fittings.**