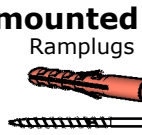


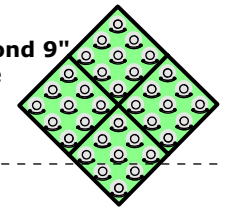
Assembly instructions "Diamond 36" mounting option B Backing Plate, anchor mounted

"Diamond D36" 36 bottles

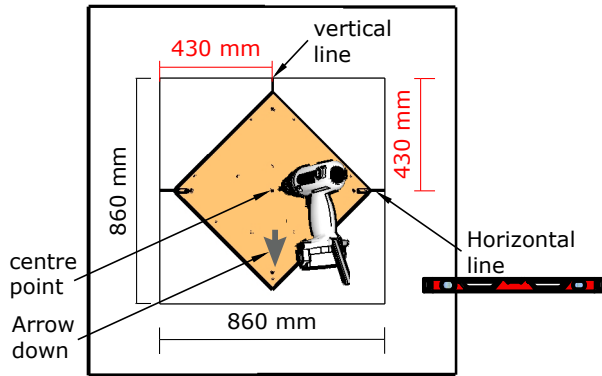
N/B Plaster wall installation shown for Concrete/Brick & Masonary walls replace plaster wall anchor images with Ramplugs. All appropriate fittings will be supplied.



N/B 4 x "Diamond 9" panels make the "Diamond36" Layout

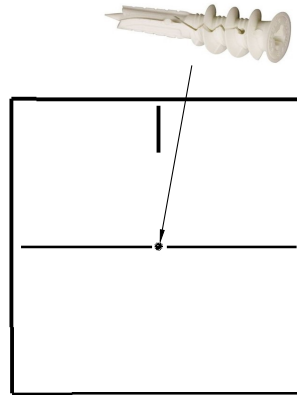


1. Establish the **layout** positioning on the wall by marking **860mm x 860mm** squares for each "Diamond36" panel required, mark a **Horizontal & Vertical** line through the **centre** point.
2. **Align** the **Backing Plate** to the lines, hold firm & drill the centre **4.2mm** wall hole, remove B/Plate. Allow **20mm** clearance above the 860mm to any obstruction.



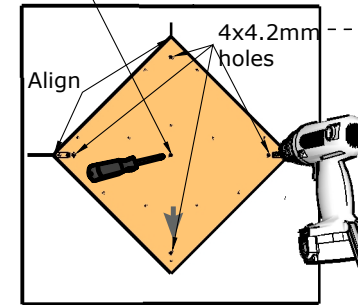
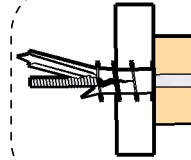
3. Screw **wall anchor** into the hole until **flush**. Do not overtighten.

Ramset Twist-n-Lock™ plaster wall anchor



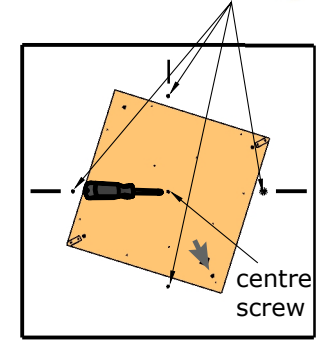
4. **Reposition** Backing plate, insert **screw** into wall anchor until **firm**. **Align B/Plate** & drill remaining **4x4.2mm** holes.

Wall anchor screw



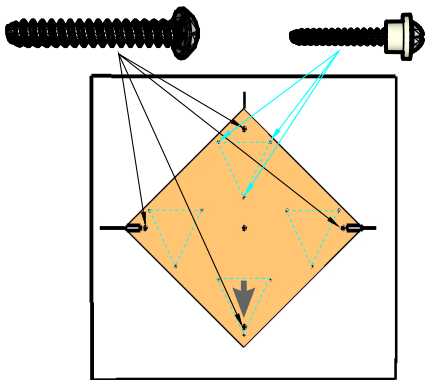
5. Loosen **centre** screw & **rotate** the B/Plate to **clear** the holes. Insert the **4 wall anchors** until **firm**.

4 Plaster wall anchors

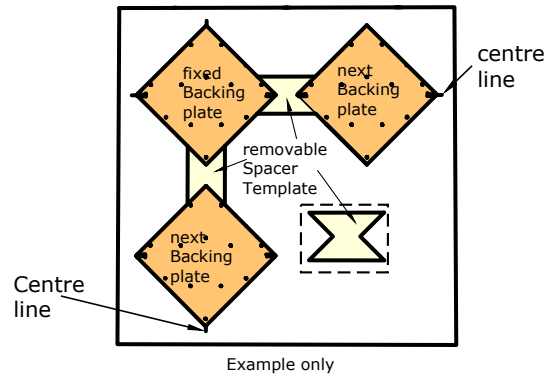


6. Re-align B/Plate & insert **4 anchor screws** then insert the **12 Panel connectors** into the **Backing Panel** until firm.

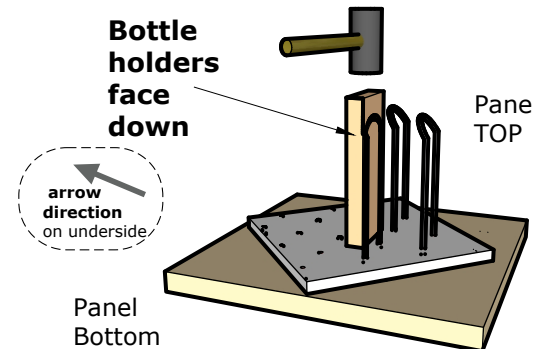
12x8Gx16mm Wall anchors screws ... Panel connectors



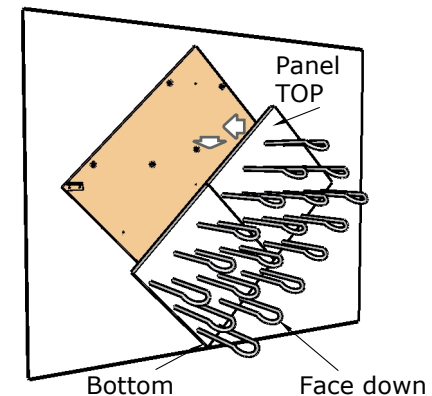
7. To **add** additional **D36** panels select the face & extend the centre line, align the **spacer template** & next **Backing Plate** along the extended line. Repeat **items 2-6**. Repeat the process until the layout is complete.



8. Place Panel face up on a **solid flat surface**. Insert **Bottle holder brackets**, using the **insertion block** drive in until the **block is Firm & Flat** with panel **surface**.

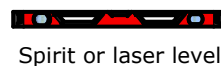


9. Commencing with the **lowest** panel position, **align** the panel with the **panel connectors**, **push** in & **pull** down.



©DISYNER SYSTEMS. All rights reserved.
Liability notice: Disyner Systems is unable to accept any liability for faulty wall conditions or damage to any internal wall components onto which the system is installed. We are unable to accept any liability if the the assembly instructions are not followed exactly as stipulated.

You need:



Items supplied:

Bottle holder INSERTION BLOCK

