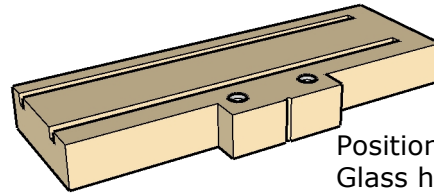


Assembly Instructions for DIY "Stemmed Glass Holder".

N/B. Ideal for where multiple options (kits) are used in the same layout

Kit components:

.... x Glass Holders (2 per set).



Positioning /Drilling Template, Glass holders Inserter.



Locator pin.



6.1mm Brad point wood drill bit.

A Solid Substrate Glass Holder Panel eg.. Plywood, Timber, MDF, Decorated MDF (NOT Particle Board) 16mm minimum thickness, is required.

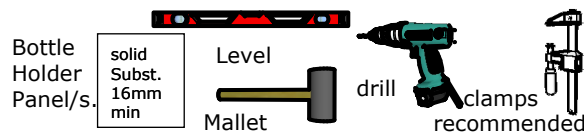
1. To confirm glass spacings & layout go to. [Downloads>DIY-Stemmed Glass Holder Calculator](#)

Panel/s can be mounted to any flat dry wall surface.

For Mounting suggestions detail go to; [Downloads> Display panel mounting & backlighting.](#)



You need: Fittings to connect panel/s to wall.



2. Position glass spacings.

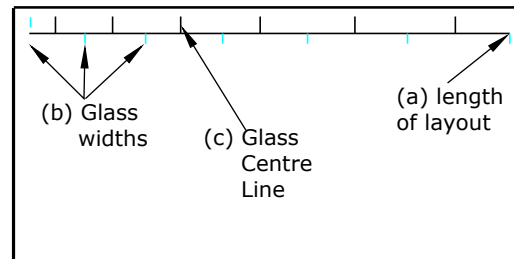
(a) Draw a Horizontal line the length of required layout/s.



(b) Mark the glass widths.



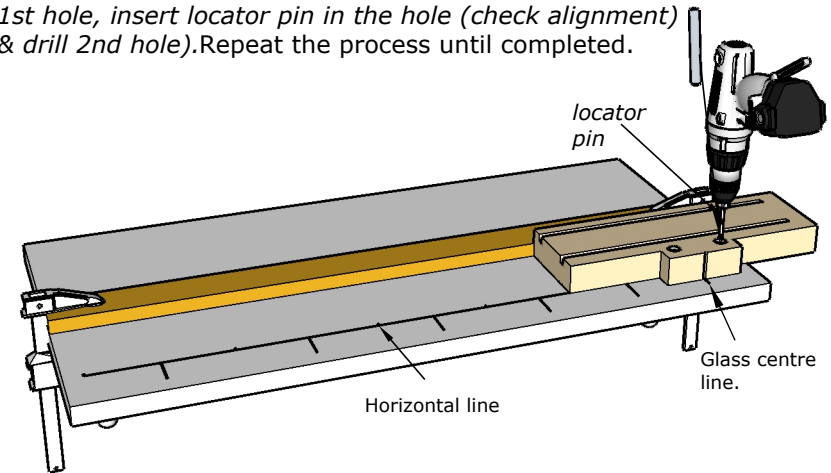
(c) Mark the centre point of each glass spacing (20mmH).



3. Position Template along the horizontal line with the centre marker on the glass centre line, as shown.

Drilling options..

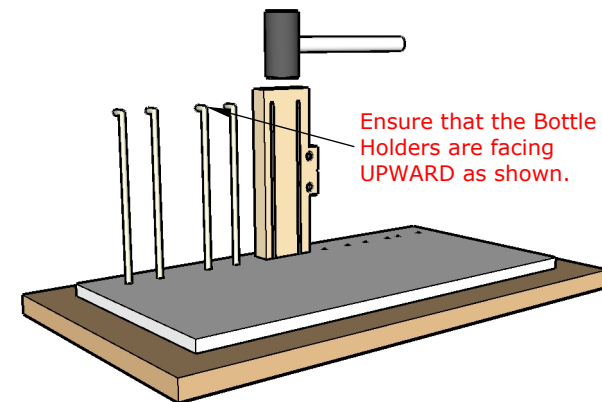
(A) clamp a straight edge below the template & parallel to the horizontal line. Drill 1st hole, insert locator pin & drill 2nd hole. (B) If a straight edge is not applicable. Hold firmly & drill 1st hole, insert locator pin in the hole (check alignment) & drill 2nd hole). Repeat the process until completed.



Glasses can be positioned in any format & spacing.



4. If panels are not attached to the wall, place on a firm base, insert the Glass Holders into the **Holder Inserter** section of the Template, align over the holes, using a **mallet** insert the Glass holders until the Inserter base is in **firm contact** with the panel surface.



Ensure that the Bottle Holders are facing UPWARD as shown.

©DISYNER SYSTEMS. All rights reserved.
Liability notice: Disyner Systems is unable to accept any liability for faulty wall conditions or damage to any internal wall components onto which the system is installed. We are unable to accept any liability if the the assembly instructions are not followed exactly as stipulated.