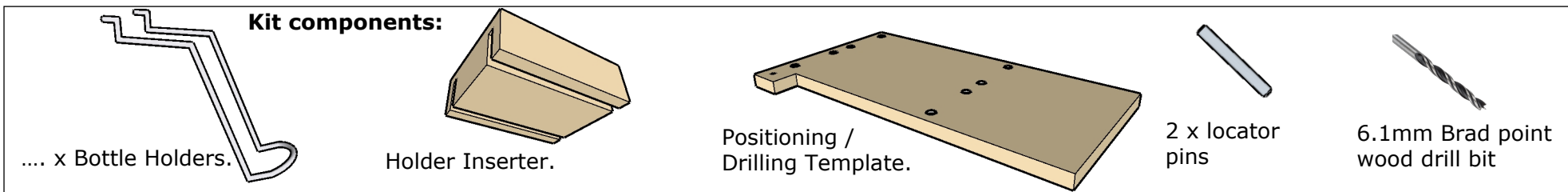


**Assembly Instructions for DIY "Label out" 65 Degree bottle.
Predetermined Panel size.**

N/B the "Glass Holder kit" & "Shelf kit" can be used in conjunction with the "Label out 65 Degree bottle kit".



A Solid Substrate Bottle Holder Panel eg.. Plywood, Timber, MDF, Decorated MDF (NOT Particle Board) 16mm minimum thickness, is required.

To establish Panel layout dimensions/bottles required go to.. [Downloads > DIY-"Label out" 65Degree panel layout/Bottle calculator.](#)

Take Note; The top bottle exceeds the panel height allowance of 230mmH by 75 - 100mm.

For the panel to **equal/exceed** the top bottle neck add **100mm** to the **230mmH** dimension/s.

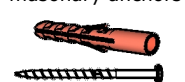
Cut panel to size.

Panel/s can be mounted to any flat dry wall surface.

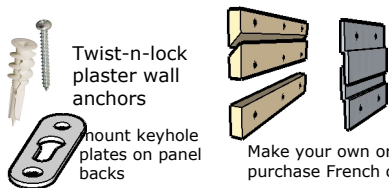
For Mounting suggestions detail go to.. [Downloads > Display panel mounting & backlighting.](#)

Screw fix to studs

concrete/brick/masonry anchors



Twist-n-lock plaster wall anchors



Mount keyhole plates on panel backs

Make your own or purchase French cleats

You need: Fittings to connect panel/s to wall.

Bottle Holder Panel/s.

solid Subst. 16mm min

Level to align 1st panel.

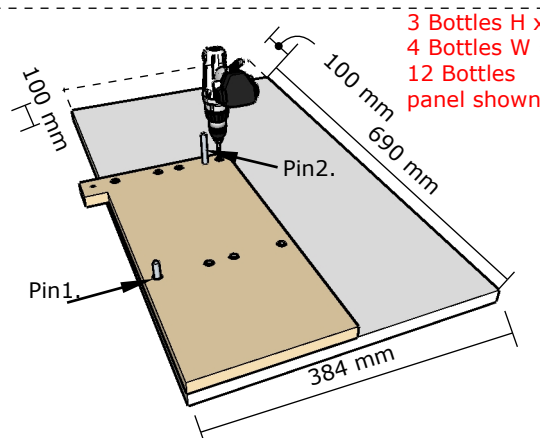


drill

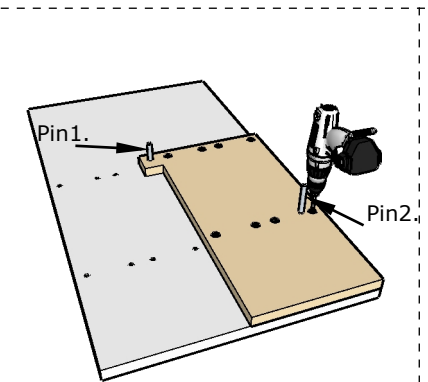
Mallet



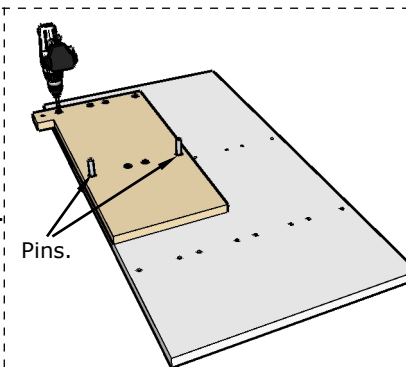
clamps recommended



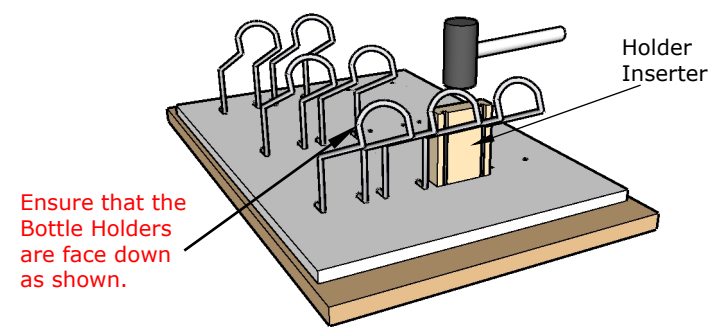
2. Position Template in Lower L.H. corner & hold firmly (preferably clamp). Drill 1st hole (drill bit supplied) & insert locator pin, (if template moves realign) & drill 2nd hole & insert 2nd pin. **Drill remaining holes as required.**



3. Reposition Template, insert pin into the top R.H hole. Align Template, hold firmly. Drill 1st hole & insert 2nd pin. (as shown). Drill remaining holes. **Repeat the process until all lower holes are completed.**

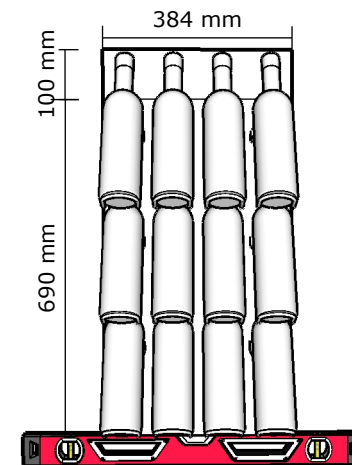


4. Reposition Template to the L.H side & insert the 2 pins into the top row of existing holes. (as shown) Drill the top row of holes. Repeat process until **all holes** are completed.



5. Place Panel on a firm base, insert the bottle Holder into the Holder Inserter, align over the holes, using a mallet insert the Bottle holder until the Inserter base is in firm contact with the panel surface.

6. Position/Level & fix panel to the wall surface.



©DISYNER SYSTEMS. All rights reserved.
Liability notice: Disyner Systems is unable to accept any liability for faulty wall conditions or damage to any internal wall components onto which the system is installed. We are unable to accept any liability if the assembly instructions are not followed exactly as stipulated.